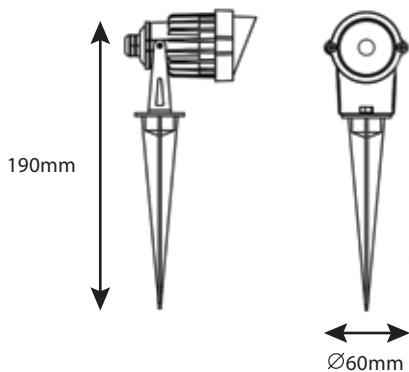




DIMENSION



PRODUCT

Name	SSK LED Spike Light
Reference	EI-SSK-5WS
Body color	Black
Material	Aluminum
Category	Outdoor

LIGHTING INFORMATION

Light source	LED
Gross luminous flux	200Lm
Power	5 W
Colour temperature CCT	WW / BL / RD / GN / RGB
Colour Rendering Index	CRI = 80
Light beam angle	90°
Number of LEDs	10
Chip Type	COB
Dimming	Non Dimmable
Median useful Life	10,000 hours

OTHER DATA

Light Guide Panel (LGP)	Polystyrene (PS)
Ingress Protection	IP65
Dimension (mm)	Ø60mm , H:190mm

DRIVER OPTIONS

ON / OFF	
Class I	
Frequency (Hz)	50/60 Hz
Power Factor	0.5
Mains voltage	AC 85-265V
Ingress Protection	IP65
Isolated Driver	Yes